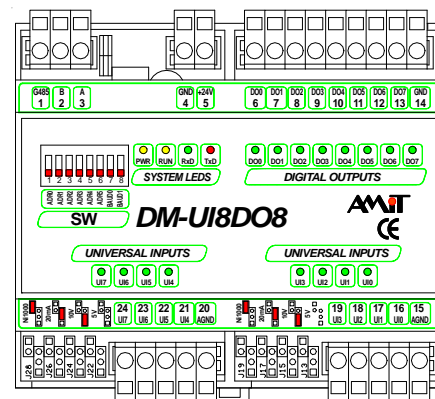


# DM-UI8DO8

Combined I/O Extension Module with ARION Protocol

- 8 x digital output 24 V DC
- 8 x universal input
- I/O without galvanic separation
- Control over RS485 line (ARION protocol)



## TECHNICAL DATA

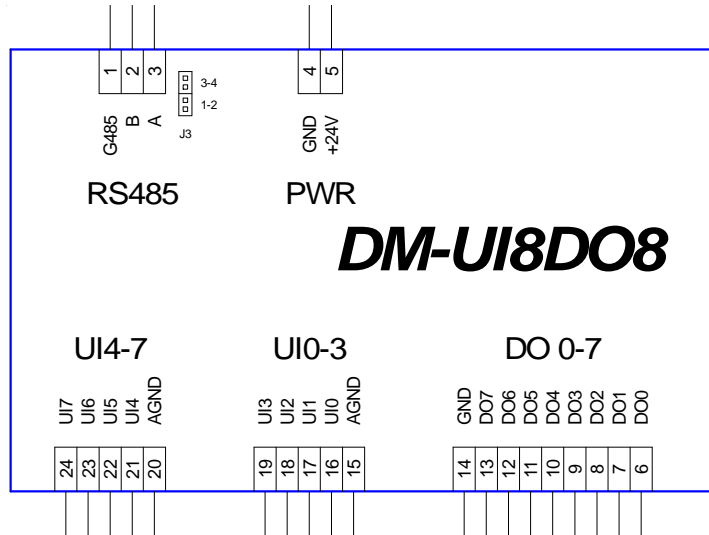
<b>Outputs</b>	8
Output type	24 V AC / 300 mA
Galvanic separation of outputs	No
Max. current via common terminal	1 A DC
Short circuit protection	Electronic
<b>Inputs</b>	8
Input type	0 to 5 V / 0 to 10 V / 0 to 20 mA / Ni1000 / Pt1000 / contact / digital input 24 V DC
Galvanic separation of inputs	No
Converter resolution	12 bits
Common lead	Analogue ground
Max. input voltage	50 V DC permanently (ranges 0 to 5 V, 0 to 10 V, Ni1000, Pt1000)
Max. input current	30 mA (range 20 mA DC)
<b>Communication</b>	RS485
Galvanic separation of RS485	Yes *)
Communication rates	9600 to 57600 Bd
Max. number of modules on RS485 line	63
Max. number of modules on RS485 segment	31
<b>Power supply</b>	24 V DC $\pm$ 20 %
Power consumption (without outputs)	Max. 100 mA at 24 V DC
<b>Others</b>	
Signal connection	WAGO 231 cage clamp connectors
Cover protection rate	IP20
Operating temperature	0 to 50 °C
Max. ambient humidity	< 95 % non-condensing
Mounting	35 mm DIN rail
Weight	250 g
Dimensions (w x h x d)	105 x 90 x 74 mm

\*) Insulation strength 500 V AC / 1 minute, galvanic separation may not be used for safe and unsafe parts separation.

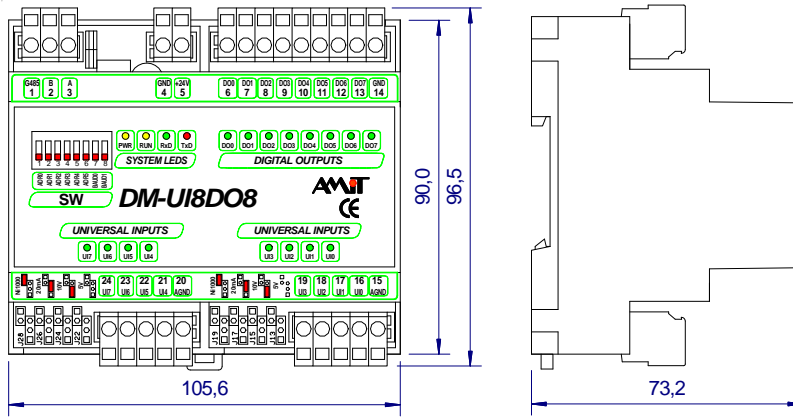
## ORDERING INFORMATION

<b>DM-UI8DO8</b>	Module of 8 digital outputs and 8 universal inputs controlled over RS485 line, data sheet, warranty card
------------------	--

## RECOMMENDED DIAGRAM SYMBOL



## PHYSICAL DIMENSIONS



## TERMINALS ASSIGNMENT

Terminal	Label	Assignment
1	G485	RS485, shielding
2	B	RS485, B line
3	A	RS485, A line
4	GND	Power supply, ground
5	+24V	Power supply 24 V DC
6	DO0	Output 0
7	DO1	Output 1
8	DO2	Output 2
9	DO3	Output 3
10	DO4	Output 4
11	DO5	Output 5
12	DO6	Output 6

Terminal	Label	Assignment
13	DO7	Output 7
14	GND	Digital GND
15	AGND	Analogue GND
16	UI0	Input 0
17	UI1	Input 1
18	UI2	Input 2
19	UI3	Input 3
20	AGND	Analogue GND
21	UI4	Input 4
22	UI5	Input 5
23	UI6	Input 6
24	UI7	Input 7