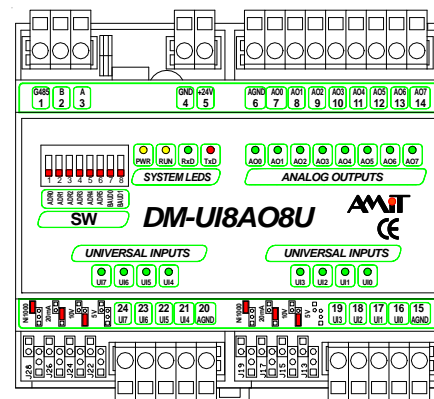


# DM-UI8AO8U

Combined I/O Extension Module with ARION Protocol

- 8 analogue outputs 0 to 10 V
- 8 universal inputs
- I/O are without galvanic separation
- Control over RS485 line (ARION protocol)



## TECHNICAL DATA

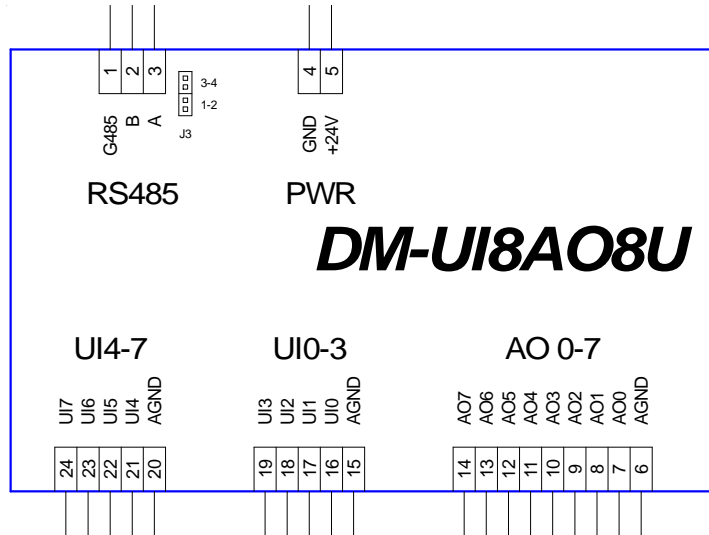
<b>Outputs</b>	8
Output voltage	0 to 10 V DC
Max. output current	1 mA DC
Converter resolution	12 bits
Galvanic separation of outputs	No
<b>Inputs</b>	8
Input type	0 to 5 V DC / 0 to 10 V DC / 0 to 20.08 mA DC / Ni1000 / Pt1000 / Contact
Galvanic separation of inputs	No
Converter resolution	12 bits
Common lead	Analogue ground
Input overvoltage protection	Diodes
Max. input voltage	50 V DC permanently (ranges 0 to 5 V DC, 0 to 10 V DC, Ni1000, Pt1000)
Max. input current	30 mA DC (range 20 mA DC)
<b>Communication</b>	RS485
Galvanic separation of RS485	Yes *)
Communication rates	9600 to 57600 Bd
Max. number of modules on RS485 line	63
Max. number of modules on RS485 segment	31
<b>Power supply</b>	24 V DC $\pm$ 20 %
Power consumption (without outputs)	Max. 100 mA at 24 V DC
<b>Others</b>	
Signal connection	WAGO 231 cage clamp connectors
Cover protection rate	IP20
Operating temperature	0 to 50 °C
Max. ambient humidity	< 95 % non-condensing
Mounting	35 mm DIN rail
Weight	250 g
Dimensions (w x h x d)	105 x 90 x 74 mm

\*) Insulation strength 500 V AC / 1 minute, galvanic separation may not be used for safe and unsafe parts separation.

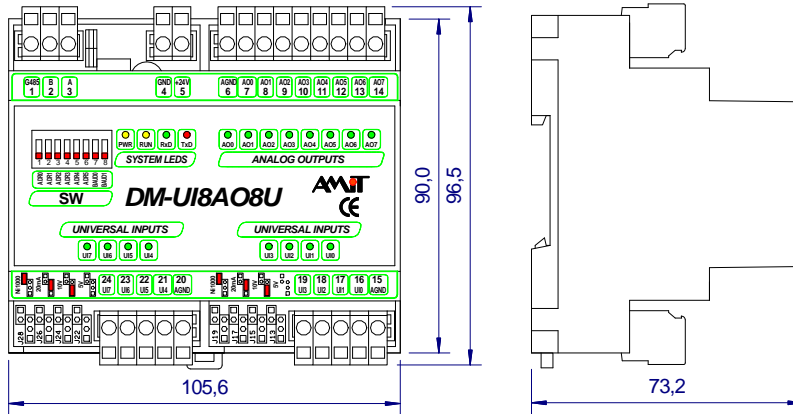
## ORDERING INFORMATION

<b>DM-UI8AO8U</b>	Module of 8 analogue outputs and 8 universal inputs controlled over RS485 line, data sheet, warranty card
-------------------	---

## RECOMMENDED DIAGRAM SYMBOL



## PHYSICAL DIMENSIONS



## TERMINALS ASSIGNMENT

Terminal	Label	Assignment
1	G485	RS485, shielding
2	B	RS485, B line
3	A	RS485, A line
4	GND	Power supply, ground
5	+24V	Power supply +24 V DC
6	AGND	Analogue GND
7	AO0	Output 0
8	AO1	Output 1
9	AO2	Output 2
10	AO3	Output 3
11	AO4	Output 4
12	AO5	Output 5

Terminal	Label	Assignment
13	AO6	Output 6
14	AO7	Output 7
15	AGND	Analogue GND
16	UI0	Input 0
17	UI1	Input 1
18	UI2	Input 2
19	UI3	Input 3
20	AGND	Analogue GND
21	UI4	Input 4
22	UI5	Input 5
23	UI6	Input 6
24	UI7	Input 7