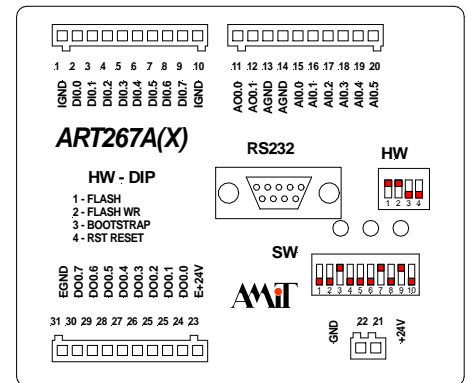


# ART267AX

Compact Control System

- 8 × digital output 24 V / 0.5 A
- 8 × digital input 24 V
- 6 × analogue input U / I / Ni1000
- 2 × analogue output 0 to 10 V
- RS232 (Rx/D, Tx/D and CTS output)
- 35 mm DIN rail mounting



## TECHNICAL DATA

Digital inputs Universal AC / DC	8 × 24 V AC/DC Logical 0 min. -30 V, max. 5 V Logical 1 min. 16 V, max. 30 V
Digital inputs protection	Transil 600 W
Galvanic separation of inputs	Yes *)
Digital outputs	8 × 24 V / 0.5 A DC
Outputs protection	Internal protection of switch VN340SP
Galvanic separation of outputs	Yes *)
Analogue inputs	6 × 0 to 10 V / 0 to 5 V / 0 to 20 mA / Ni1000
Analogue inputs protection	Diodes + 10 kOhm resistor
Analogue outputs	2 × 0 to 10 V, (max. 10 mA)
Analogue outputs protection	Transil 600 W
Galvanic separation of AI / AO	No
Serial communication interface	RS232 (CANON 9) without GS, Rx/D, Tx/D and CTS
Cover protection rate	IP20
Signal connection	WAGO 734 (3.81 mm) cage clamp connectors
Power supply	24 V DC ±20 %
Power consumption (without outputs)	Max. 250 mA at 24 V DC
Operating temperature	0 to 70 °C
Max. ambient humidity	< 95 % non-condensing
Weight	650 g
Dimensions (w × h × d)	111 × 94 × 65 mm
Back-up battery lifetime	5 years
Programming	DetStudio

\*) Insulation strength 300 V AC / 1 minute, galvanic separation may not be used for safe and unsafe parts separation.

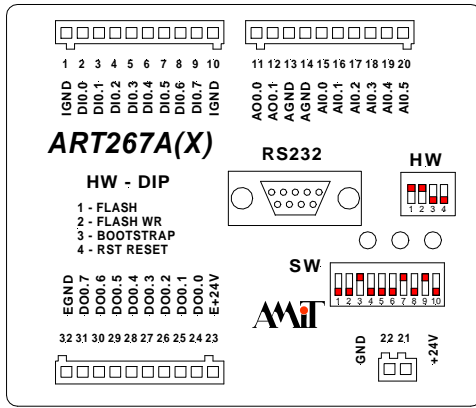
## ORDERING INFORMATION

ART267AX	Control system, user's manual, warranty card, full WAGO connector set
KABEL 232P	RS232 to PC connecting cable

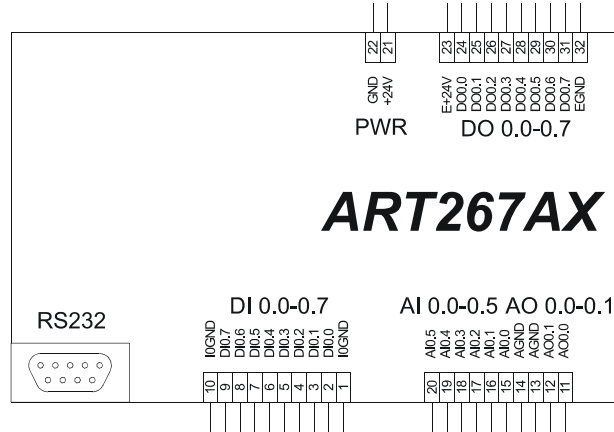
## CONNECTORS FOR PHERIPHERAL MODULES

Digital inputs	<b>DI</b>	8 × galvanically separated input	1 .. 10
Digital outputs	<b>DO</b>	8 × galvanically separated output	23 .. 32
Analogue inputs + outputs	<b>AI/AO</b>	6 × 10-bit analogue input without GS 2 × 10-bit analogue output without GS	11 .. 20
Power supply	<b>PWR</b>	Power supply 24 V DC	21 .. 22

### TERMINAL LOCATION



### RECOMMENDED DIAGRAM SYMBOL



Note: GND, AGND and RS232-GND terminals are internally connected

### PHYSICAL DIMENSIONS

