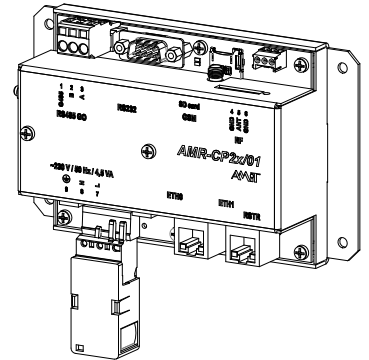


AMR-CP26/01

Communication unit

- 2 × Ethernet 10/100 Mbps (switch)
- 1 × RS485 with GS
- 1 × RS232
- 1 × Wireless interface Poseidon®
- 1 × GSM modem
- Slot for micro SD card
- Power supply 230 V AC



TECHNICAL DATA

Processor	STM32F407
Memory FLASH / RAM / EEPROM	(1024 + 4096) KB / 192 KB / 32 KB
Backed-up RAM memory	4 KB
RAM + RTC back-up	Rechargeable battery Panasonic VL1220
Slot for memory card	Micro SD
Ethernet interface	
Number of connectors	2 *)
Galvanic separation	Yes
Galvanic separation strength	500 V AC / 1 min.**)
Connection point	RJ45 connector, according to IEEE802.3
RS485 interface	
Number of lines	1
Galvanic separation	Yes
Galvanic separation strength	500 V AC / 1 min.**)
Connection point	WAGO 231-333/001-000
RS232 interface	
Number of lines	1
Galvanic separation	No
Connection point	D-sub DE-9 connector
Poseidon® communication	
Operating frequency	868 MHz
Range with supplied antenna	150 m in open space ***)
Supplied antenna	Wire
Antenna connection point	Screw terminal block CPP3.5/3
GSM communication	
Type	GSM modem
Antenna connection point	SMA
Power supply	
	230 V AC ±10 %
Max. consumption	20 mA at 230 V AC
Connection point	WAGO 231-933/001-000
Others	
Ingress protection rate	IP20
Operating temperature range	0 °C to 50 °C
Maximum ambient humidity	< 95 % non-condensing
Mounting	On the base plate
Weight	660 g
Dimensions (w × h × d)	(157 × 96 × 45) mm
Programming	DetStudio / EsiDet

*) One IP address can be configured on the device. Interfaces works as a switch.

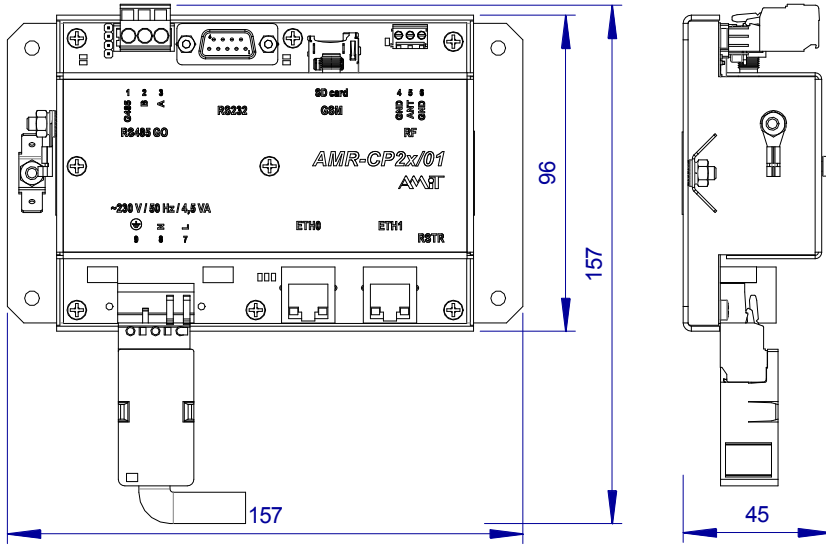
**) Galvanic separation must not be used for dangerous voltage separation.

***) External antenna can be used to increase the range.

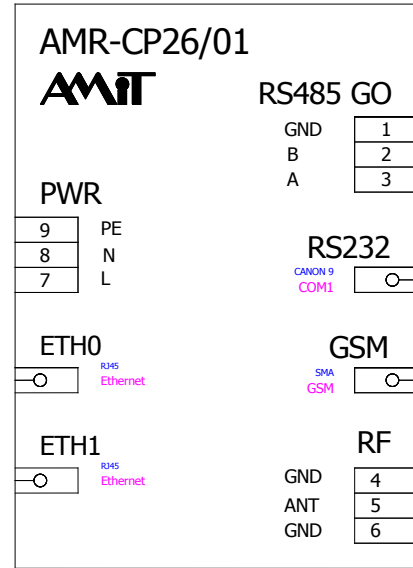
ORDERING INFORMATIONS

AMR-CP26/01	Communication unit, 2 × Ethernet, switch, RS485, RS232, SD, Webserver, GSM (SMS), Poseidon, operation manual
GSM-ANT-U1S	GSM – Rod antenna, angled, 1 dB, without cable, SMA
GSM-ANT-M5S	GSM – Magnetic antenna, 5 dB, cabel 3 m, SMA
GSM-ANT-L2S	GSM – Self-adhesive antenna, 2.5 dB, cabel 3 m, SMA
P8 A INT1 3299-01008	Poseidon – Internal rod antenna, cabel 2 m, SMA connector, adapter for connection to unit
P8 A INT2 3299-01018	Poseidon – Internal panel antenna, cabel 2 m, SMA connector, adapter for connection to unit
P8 A EXT1 3299-01058	Poseidon – Outdoor rod antenna, cabel 2 m, SMA connector, adapter for connection to unit
P8 A EXT2 3299-01068	Poseidon – Outdoor directional antenna, cabel 5 m, SMA connector, adapter for connection to unit
P8 A CA5 3299-00058	Poseidon – Antenna extension cable 5 m, SMA connector, terminations for connection to unit
P8 A CA10 3299-01058	Poseidon – Antenna extension cable 10 m, SMA connector, terminations for connection to unit

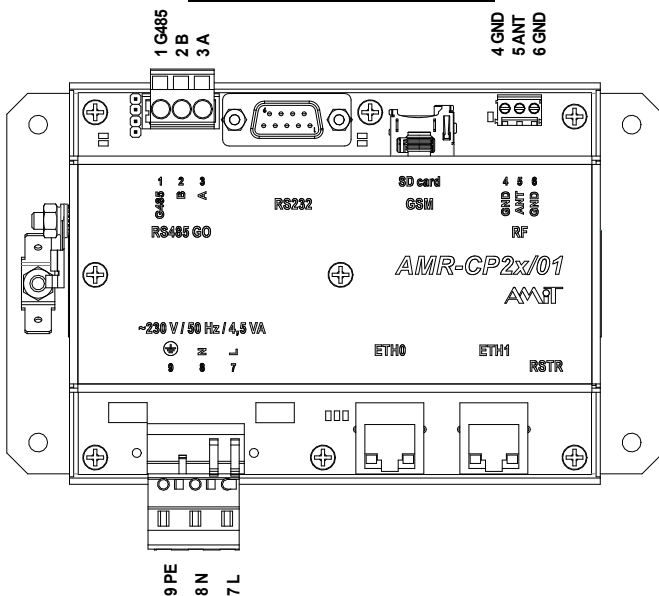
MECHANICAL DIMENSIONS



DRAWING SYMBOL



TERMINAL LAYOUT



TERMINAL LABELS

Terminal	Label	Meaning
1	G485	RS485 with GS, ground
2	B	RS485 with GS, signal B
3	A	RS485 with GS, signal A
4	GND	RF Poseidon, shielding
5	ANT	RF Poseidon, antenna
6	GND	RF Poseidon, shielding
7	L	Power supply 230 V AC, phase conductor
8	N	Power supply 230 V AC, neutral conductor
9	⊕	Protective conductor

Data provided in this datasheet are only informative. Detailed information can be found in operational manual ([amr-cp2601_g_en_xxx.pdf](#)). Documentation and examples can be downloaded from www.amit.cz.