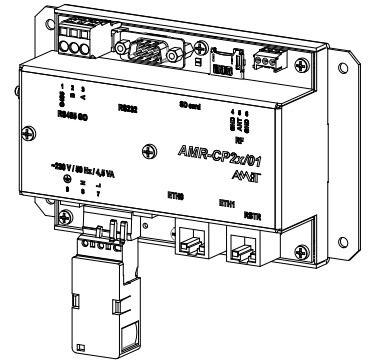


# AMR-CP24/01

Communication unit

- 2 × Ethernet 10/100 Mbps (switch)
- 1 × RS485 with GS
- 1 × RS232
- 1 × Wireless interface Poseidon®
- Slot for micro SD card
- Power supply 230 V AC



## TECHNICAL DATA

<b>Processor</b>	STM32F407
Memory FLASH / RAM / EEPROM	(1024 + 4096) KB / 192 KB / 32 KB
Backed-up RAM memory	4 KB
RAM + RTC back-up	Rechargeable battery Panasonic VL1220
Slot for memory card	Micro SD
<b>Ethernet interface</b>	
Number of connectors	2 *)
Galvanic separation	Yes
Galvanic separation strength	500 V AC / 1 min.**)
Connection point	RJ45 connector, according to IEEE802.3
<b>RS485 interface</b>	
Number of lines	1
Galvanic separation	Yes
Galvanic separation strength	500 V AC / 1 min.**)
Connection point	WAGO 231-333/001-000
<b>RS232 interface</b>	
Number of lines	1
Galvanic separation	No
Connection point	D-sub DE-9 connector
<b>Poseidon® communication</b>	
Operating frequency	868 MHz
Range with supplied antenna	150 m in open space ***)
Supplied antenna	Wire
Antenna connection point	Screw terminal block CPP3.5/3
<b>Power supply</b>	
Max. consumption	230 V AC ±10 %
Max. consumption	20 mA at 230 V AC
Connection point	WAGO 231-933/001-000
<b>Others</b>	
Ingress protection rate	IP20
Operating temperature range	0 °C to 50 °C
Maximum ambient humidity	< 95 % non-condensing
Mounting	On the base plate
Weight	610 g
Dimensions (w × h × d)	(157 × 96 × 45) mm
<b>Programming</b>	DetStudio / EsiDet

\*) One IP address can be configured on the device. Interfaces works as a switch.

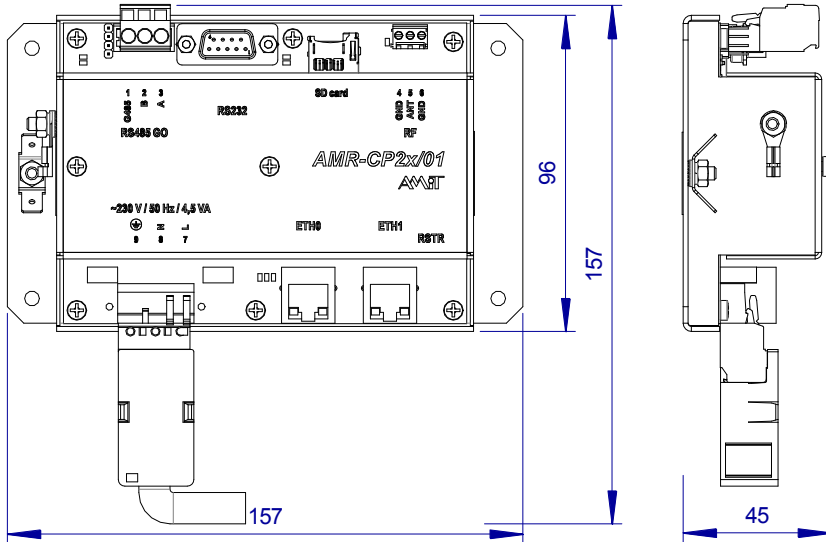
\*\*\*) Galvanic separation must not be used for dangerous voltage separation.

\*\*\*) External antenna can be used to increase the range.

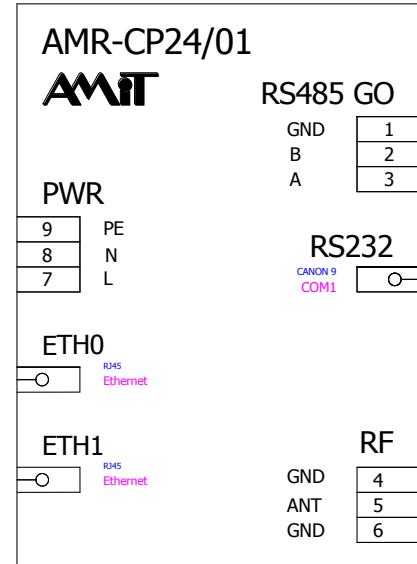
## ORDERING INFORMATIONS

<b>AMR-CP24/01</b>	Communication unit, 2 × Ethernet, switch, RS485, RS232, SD, Webserver, Poseidon, operation manual
<b>P8 A INT1 3299-01008</b>	Poseidon – Internal rod antenna, cabel 2 m, SMA connector, adapter for connection to unit
<b>P8 A INT2 3299-01018</b>	Poseidon – Internal panel antenna, cabel 2 m, SMA connector, adapter for connection to unit
<b>P8 A EXT1 3299-01058</b>	Poseidon – Outdoor rod antenna, cabel 2 m, SMA connector, adapter for connection to unit
<b>P8 A EXT2 3299-01068</b>	Poseidon – Outdoor directional antenna, cabel 5 m, SMA connector, adapter for connection to unit
<b>P8 A CA5 3299-00058</b>	Poseidon – Antenna extension cable 5 m, SMA connector, terminations for connection to unit
<b>P8 A CA10 3299-01058</b>	Poseidon – Antenna extension cable 10 m, SMA connector, terminations for connection to unit

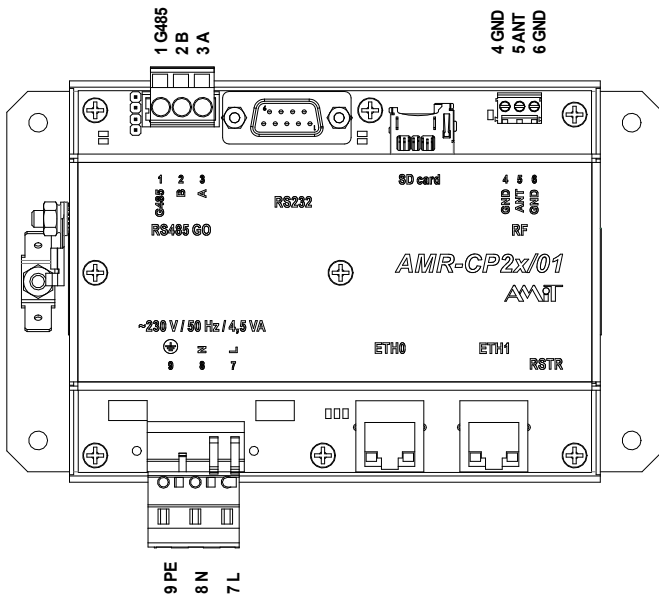
## MECHANICAL DIMENSIONS



## DRAWING SYMBOL



## TERMINAL LAYOUT



## TERMINAL LABELS

Terminal	Label	Meaning
1	G485	RS485 with GS, ground
2	B	RS485 with GS, signal B
3	A	RS485 with GS, signal A
4	GND	RF Poseidon, shielding
5	ANT	RF Poseidon, antenna
6	GND	RF Poseidon, shielding
7	L	Power supply 230 V AC, phase conductor
8	N	Power supply 230 V AC, neutral conductor
9	PE	Protective conductor

Data provided in this datasheet are only informative. Detailed information can be found in operational manual ([amr-cp2401\\_g\\_en\\_xxx.pdf](#)). Documentation and examples can be downloaded from [www.amit.cz](http://www.amit.cz).